

桃園都會區大眾捷運系統 禁建限建範圍地形圖 航空城捷運線(綠線)

禁限建範圍說明： NOTES OF NON-BUILDING & RESTRICTED BUILDING ZONE：

禁限建範圍說明係依據大眾捷運法第四十五條及「大眾捷運系統兩側禁建限建辦法」。
NOTES OF NON-BUILDING & RESTRICTED BUILDING ZONE ARE ACCORDING TO THE CLAUSE 45 OF LAW OF MASS TRANSPORTATION SYSTEM.

一、大眾捷運系統兩側禁建範圍 NON-BUILDING ZONE

1. 高架段之路線及車站：

VIADUCT SECTION AND STATION：

水平方向為自捷運設施結構體外緣起算向外六公尺以內，垂直方向為自地面起算向上至捷運設施或行車安全之最小淨空以內，其有屋頂者則向上至屋頂結構上緣以內，兩者所形成之封閉區域(如示意圖一、示意圖二)。

THE ENCLOSED ZONE EXTENDS 6M FROM MRT STRUCTURAL FACILITY IN HORIZONTAL DIRECTION. IN VERTICAL DIRECTION IS MEASURED FROM GROUND LEVEL UP TO TOP OF MRT FACILITY OR TO MINIMUM CLEARANCE REQUIREMENT FOR OPERATIONAL SAFETY OF MRT, HOWEVER IF THERE IS A ROOF TOP, IT SHALL BE MEASURED TO THE EXTEND OF TOP EDGE OF ROOF STRUCTURE. (SEE FIGURE 1, 2)

2. 地面段之路線：

GRADE SECTION：

水平方向為自捷運設施圍籬或側牆外緣起算向外六公尺以內，垂直方向為自地面起算向上至捷運設施或行車安全之最小淨空以內，兩者所形成之封閉區域(如示意圖三)。

THE ENCLOSED ZONE EXTENDS 6M IN HORIZONTAL DIRECTION FROM FENCE AND SIDE WALLS OF MRT FACILITY. IN VERTICAL DIRECTION IS MEASURED FROM GROUND LEVEL UP TO TOP OF MRT FACILITY OR TO MINIMUM CLEARANCE REQUIREMENT FOR OPERATIONAL SAFETY OF MRT. (SEE FIGURE 3)

3. 盾盾隧道：

SHIELD TUNNEL SECTION：

自捷運隧道環片外緣起算，向外一公尺以內環繞之區域(如示意圖四)。

THE ZONE IS 1M FROM OUTER PERIMETER OF SHIELD TUNNEL LINING. (SEE FIGURE 4)

4. 通風井：

VENT SHAFT SECTION：

自結構體開口面起算，向外六公尺以內之地上封閉空間(如示意圖五)。

THE ZONE IS 6M HORIZONTALLY AND VERTICALLY FROM THE OPENING OF VENT SHAFT. (SEE FIGURE 5)

二、大眾捷運系統兩側限建範圍 RESTRICTED BUILDING ZONE

大眾捷運系統兩側依下列各款劃定之範圍，除為說明一所定之禁建範圍外，其上空、平面或地下區域，均屬限建範圍：
UNLESS NOTED ABOVE AS NON-BUILDING ZONE, THE FOLLOWING SHALL BE CATEGORISED AS RESTRICTED BUILDING ZONE：

1. 特殊軟弱地段：

EXTREMELY SOFT GROUND SECTION：

水平淨距離一百公尺以內之範圍，但不得超過該軟弱粘土地層之最大厚度。

HORIZONTAL NET DISTANCE IS 100M, HOWEVER THE DISTANCE SHALL NOT LONGER THAN MAXIMUM DEPTH OF SOFT SOIL.

2. 特殊堅硬地段：

EXTREMELY HARD GROUND SECTION：

水平淨距離三十公尺以內之範圍。但捷運既有設施結構，位於地面坡度達百分之十五以上，為水平淨距離五十公尺以內之範圍。

HORIZONTAL NET DISTANCE IS WITHIN 30 METERS. HOWEVER, THE EXISTING FACILITIES OF THE MRT ARE LOCATED ON THE GROUND WITH A SLOPE OF 15% OR MORE, WHICH IS WITHIN A HORIZONTAL NET DISTANCE OF 50 METERS.

3. 過河段：

RIVER-CROSSING SECTION：

水平淨距離五百公尺以內之範圍。

HORIZONTAL NET DISTANCE IS WITHIN 500M RANGE.

4. 其他地段：

OTHER SECTION：

水平淨距離五十公尺以內之範圍。

HORIZONTAL NET DISTANCE IS WITHIN 50M RANGE.

前項各款之範圍，除機廠及地面段之捷運設施自圍籬或側牆外緣起算外，其他捷運設施自其結構體外緣起算。

THE RANGE OF PREVIOUS ITEMS AND NOTES ARE MEASURED FROM OUTLINE OF MRT STRUCTURAL FACILITY EXCEPT FOR THE WORKSHOPS AND GROUND SECTION OF MRT FACILITY, WHICH ARE MEASURED FROM FENCE OR EDGE OF SIDE WALLS.

三、上述相關各規定及說明，詳細請參照「大眾捷運系統兩側禁建限建辦法」。

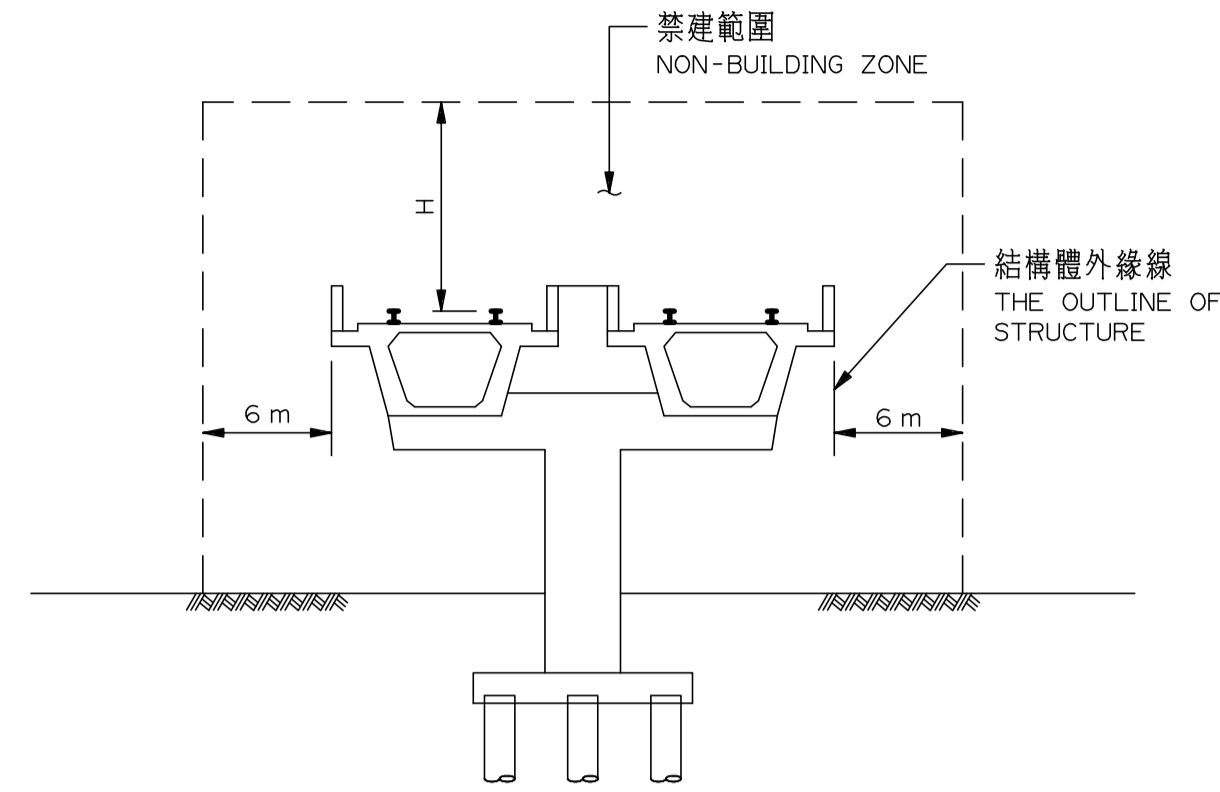
FOR THE REGULATIONS AND NOTES ABOVE, PLEASE REFER TO THE LAW OF MASS TRANSPORTATION SYSTEM.

四、主變電站(BSS)之限建範圍係自用地範圍線外緣起算。

THE RESTRICTED BUILDING ZONE OF BSS IS MEASURED FROM THE EDGE OF SCOPE OF LAND USE.

禁限建範圍圖例： LEGENDS OF NON-BUILDING & RESTRICTED BUILDING ZONE：

- 限建範圍線
RESTRICTED BUILDING LINE
- - - - 捷運設施線
MRT SYSTEM FACILITY LINE
- 禁建範圍線
NON-BUILDING LINE

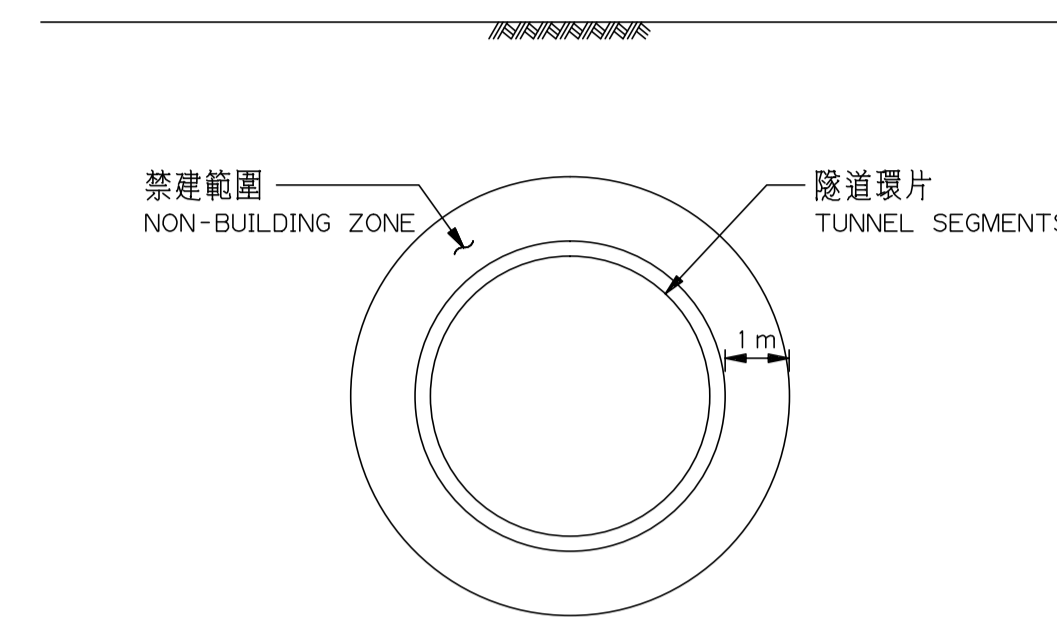


H: 各捷運系統捷運設施或行車安全之最小淨空

H: THE MINIMUM CLEARANCE FOR OPERATIONAL SAFETY OR MRT SYSTEM

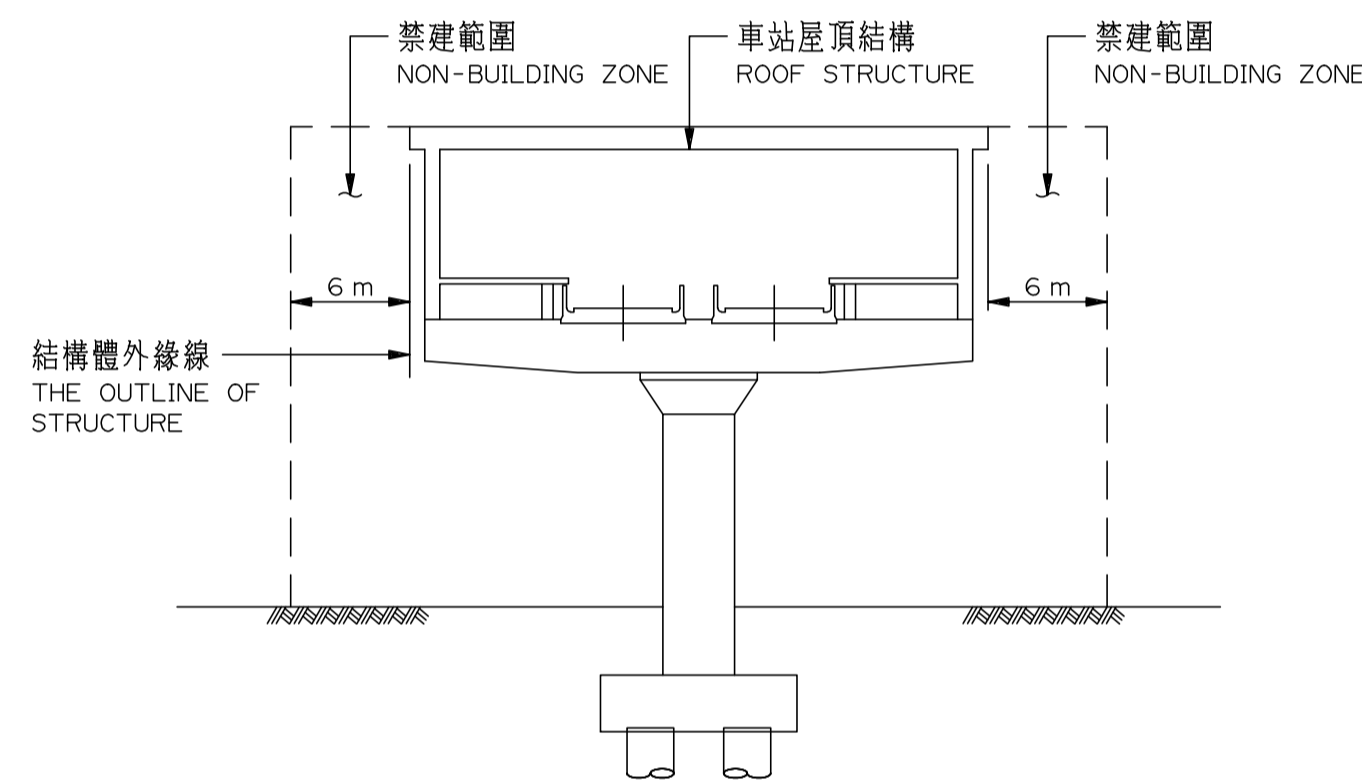
示意圖一 高架段路線禁建範圍圖

FIGURE 1 NON-BUILDING ZONE OF VIADUCT SECTION



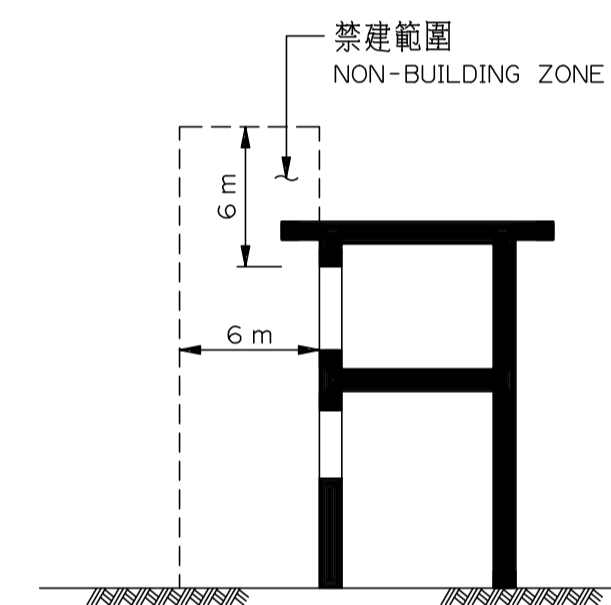
示意圖四 盾盾隧道禁建範圍圖

FIGURE 4 NON-BUILDING ZONE OF SHIELD TUNNEL



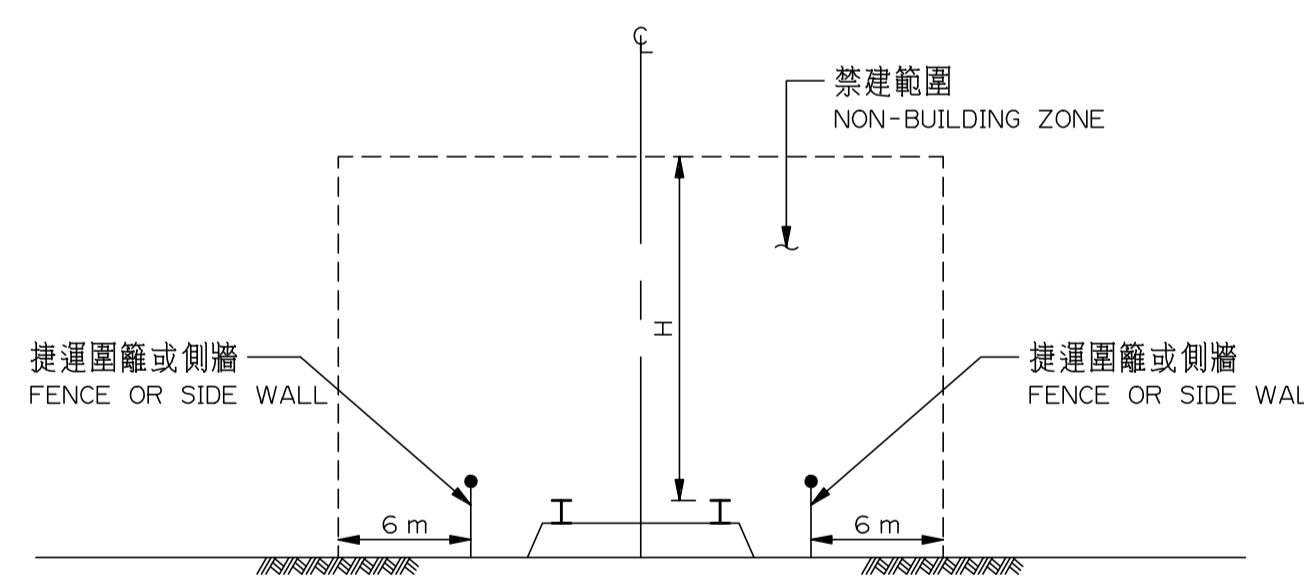
示意圖二 高架段車站禁建範圍圖

FIGURE 2 NON-BUILDING ZONE OF VIADUCT SECTION



示意圖五 通風井禁建範圍圖

FIGURE 5 NON-BUILDING ZONE OF VENT SHAFT



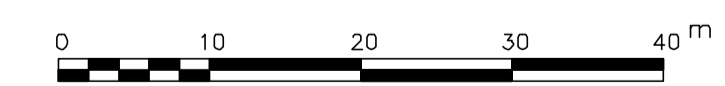
H: 各捷運系統捷運設施或行車安全之最小淨空

H: THE LEAST NET SPACE OF EVERY MASS TRANSPORTATION SYSTEM OR DRIVE SAFETY.

示意圖三 地面段路線禁建範圍圖

FIGURE 3 NON-BUILDING ZONE OF GROUND SECTION

比例
SCALE 1:500



CAD No. REP(FZ) CIV00PZ1011

禁建限建範圍說明圖

圖號
Drg. No. CIV00-PZ 1011